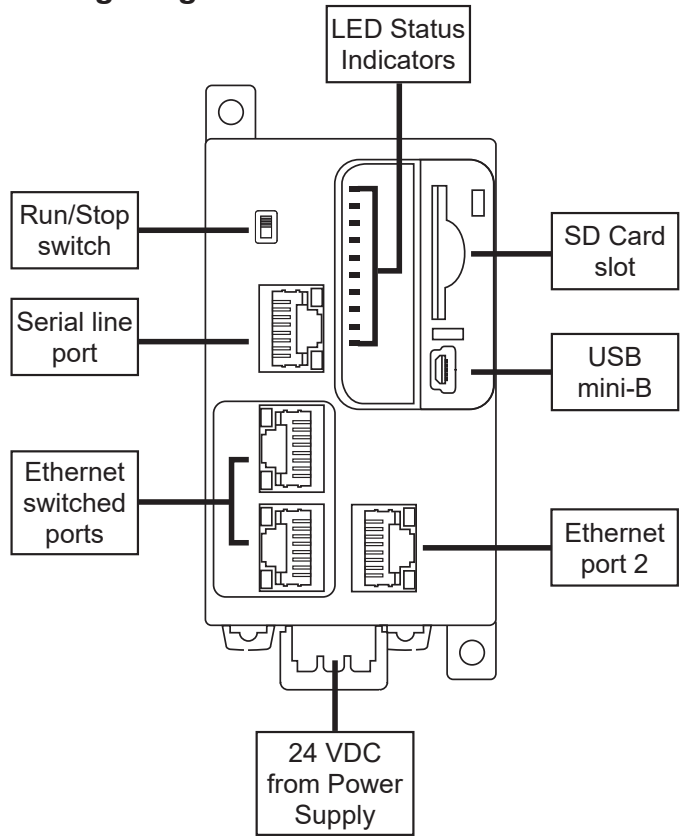


AIRLINK COMMUNICATIONS MODULE



Wiring Diagram



DESCRIPTION

An AirLink Communications Module allows networking of up to 20 Airlink DX or CHW Controllers which enables connection of up to 960 electronic VAV diffusers.

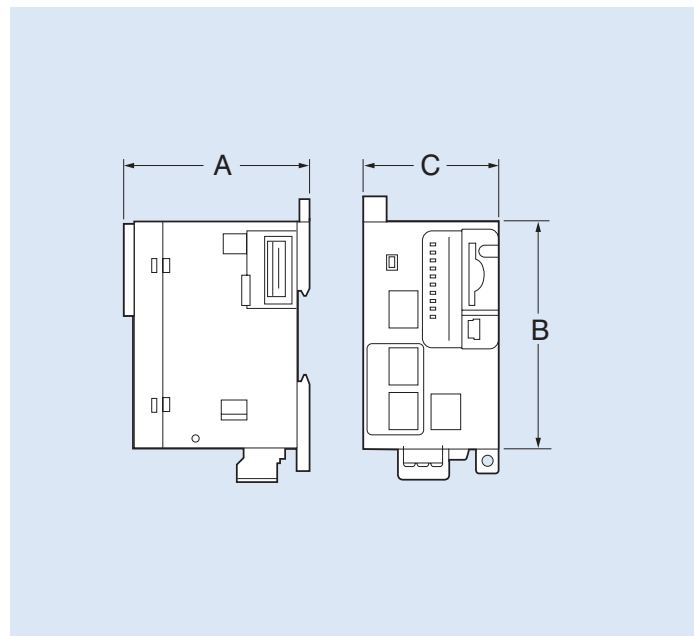
Features

- Airlink Communications Module allows interconnection of multiple AirLink Controllers.
- Required when installing Rickard Variable Air Volume (VAV) Diffusers with an Airlink Communications Module.
- Additional Multiple Communications Modules can be added when more than 960 electronic VAV diffusers are required.
- Embedded Ethernet switch.
- IP20 Protection Class.

Ports

- 1 x Non isolated serial link serial with RJ45 connector and RS232/RS485
- 1 x Dual-port Ethernet 1 with RJ45 connector
- 2 x Ethernet 2 with RJ45 connector
- 1 x USB type mini B - USB device port Mini-B
- 1 x SD card slot

DIMENSIONS



Model Number	Dimensions, mm		
	A	B	C
DCV-ARLK-M251KIT	90	90	54